

Symphony

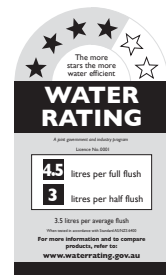
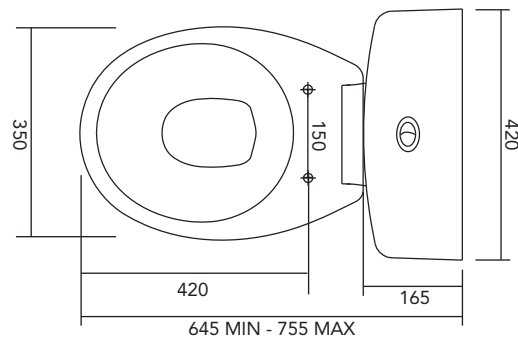
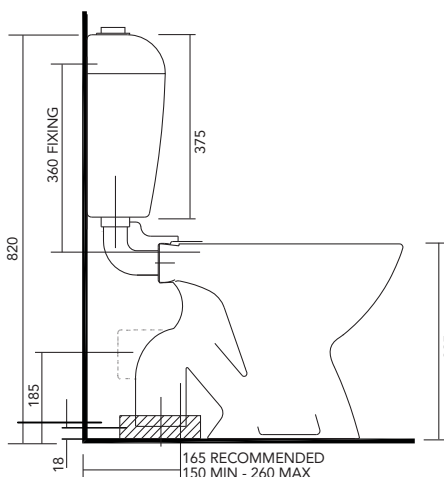
Vitreous China Pan 4.5/3 litre Dual Flush cistern, Plastic flush buttons Melbourne Toilet Retrofit Program

stylus



A general purpose application 4.5/3 litre dual flush toilet suite, available in S and P-trap options. The compact suite allows for utilisation of areas with minimal space.

- Pan:** **Symphony** – 4.5 litre S-trap and P-trap full flush wash down pan.
- Traps:** Exposed S and P-trap available. Slope of P-trap 95°.
- Inlet:** Inlet is right hand position and is located on the underside of the cistern.
- Cisterns:** A one piece injection moulded tank with a well fitting removable lid housing and centrally positioned push buttons.
- Fixing:** The cistern is secured directly to the finished wall with simple alignment adjustment provided.
- Seats:** Tasman wide seat and link piece supplied with cistern.
- Colours:** White.
- Specifications:** The installation of the toilet suite shall be in accordance with the normal minimum drainline grade requirements in AS/NZS 3500.2. To specify use product code numbers. See Specifications Section 3 for further information.
- Dimensions:** All dimensions are in millimetres and are subject to normal manufacturing variations. Caroma pursues a policy of continuing improvement in design and performance of its products. The right is therefore reserved to vary specifications without notice.



smart thinking in bathroomware™